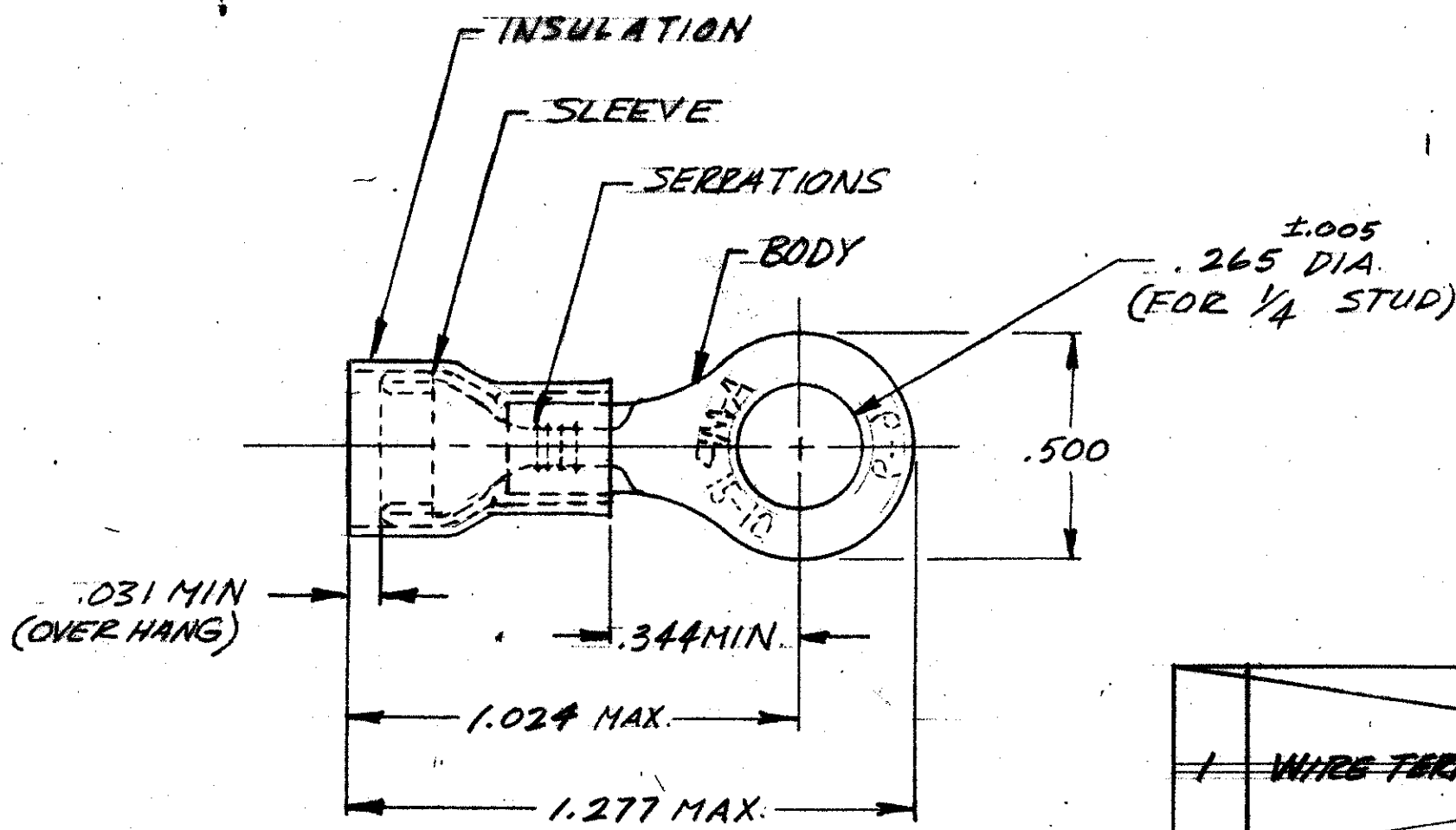


© COPYRIGHT 1964 BY AMP INCORPORATED, HARRISBURG, PA. ALL INTERNATIONAL RIGHTS RESERVED. AMP INCORPORATED PRODUCTS COVERED BY U. S. AND FOREIGN PATENTS AND/OR PATENTS PENDING.

REVISIONS						
P	F	ZONE	LTR	DESCRIPTION	DATE	APPROVED
✓	✓		C	REL & REDRAWN PER P-7000	2/27/64	J. C. WA
✓	✓		D	INACTIVATED 2--1, 2--2 A9260	PMF 11-19-62	J. C. WA
✓	✓		E	REACTIVATE 2--2 PER G-0828	PMF 10-11-64	J. C. WA
✓	✓		F	OBSOLETE 2--1 G-2340	PMF 7/26/67	J. C. WA
			G	REV PER 063A-0331-02	8/26/62	J. C. WA



FOR .170 TO .300 WIRE INSULATION DIA.  
TONGUE MATERIAL THICKNESS = .040 ±.002

QTY	DESCRIPTION	MATERIAL & FINISH	PART NO
<del>1</del>	<del>WIRE TERMINAL</del>	<del>BODY &amp; SLEEVE: COPPER (QQ-C-576) TIN PL (MIL-T-10727) INSULATION: PVC COLOR: GREEN</del>	<del>2-323763-1</del>
1	WIRE TERMINAL	BODY & SLEEVE: COPPER (QQ-C-576) TIN PL (MIL-T-10727) INSULATION: PVC COLOR: YELLOW	323763

2-323763-2	323763 ON TAPE	1,500
2-323763-1		
323763	LOOSE PIECE	500
PART NO.	PACKAGE TYPE	QTY

OBS

UNLESS OTHERWISE SPECIFIED DIMENSIONS ARE IN INCHES. TOLERANCES ON: DECIMALS ±.005 ANGLES ±	CONTRACT NO	AMP INCORPORATED Harrisburg, Pa.	
	DR R. BROWN 2-18-81	NAME	
MATERIAL	CHK J. Muller 2/18/64	TERMINAL	
SEE TABLE	APPD J. C. Waite 2-18-81	P.I.D.C. - RING TONGUE	
FINISH	DSGN APPD	SIZE B	DRAWING NO 323763
SEE TABLE	OTHER APPD	CODE IDENT NO 00779	
		SCALE N.T.S.	SHEET 1 OF 1